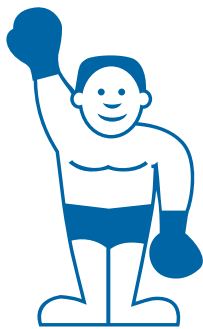


INSTRUCTIONS FOR OPERATION AND CARE OF



LITTLE
Splint™
Compact Splint Pan

Model LS-1



Whitehall Manufacturing®
Manufacturer of Healthcare and Rehabilitation Products since 1946

P.O. Box 3527 • City of Industry, CA, 91744-0527, U.S.A.

800-782-7706 • 626-968-6681 • www.whitehallmfg.com





**BEFORE CONNECTING,
READ INSTRUCTIONS
AVANT DE CONNECTER,
LIRE LES INSTRUCTIONS**



FOR PROFESSIONAL USE ONLY



CAUTION

Risk of explosion if used in the presence of flammable gases



WARNING

- REPLACE fuse as marked
- Outer Surface is Hot
- AVOID Prolonged skin contact.
- AVOID resting objects on or against the tank.

- REMOVE all packaging, accessories and literature from inside of unit prior to using.

- PROPERLY GROUND your unit. Plug unit into a Ground Fault Circuit Interrupter (GFCI) receptacle for safety. Failure to properly ground unit can increase the risk of ELECTRICAL SHOCK HAZARD!

POUR USAGE PROFESSIONNEL SUELEMENT



ATTENTION

Risque d' explosion si utilisé en présence d' gaz inflammables



AVERTISSEMENT

- REMPLACER les fusibles tel qu' indiqué
- La surface extérieure est chaude
- ÉVITER tout contact prolongé avec la peau.
- ÉVITER de déposer des objets sur le reservoir ou de les appuyer contre celui-ci.
- RETIRER tout emballage, accessoire et feuillet se trouvant à l'intérieur de votre nouvel appareil avant de l'utiliser.
- EFFECTUER LA MISE À LA TERRE de votre appareil DE FAÇON APPROPRIÉE. Brancher l'appareil dans une prise à disjoncteur différentiel de fuite à la terre (DDFT), ce qui offre une protection au cas où l'eau et la paraffine entreraient en contact avec l'électricité. Si l'appareil n'est pas bien mis à la terre, cela augmente les RISQUES DE DÉCHARGES ÉLECTRIQUES !



Introduction 2

Model Descriptions 2

Basic Set Up and Use Instructions 3

Removal of Water 3

Cleaning 3

To Change the Temperature Setting 3

Changing the Fuse 3

Repair of Unit 3

Parts Diagram, Parts List and Schematic 4



Instructions for Operation and Care of Little Splint Compact Splint Pan

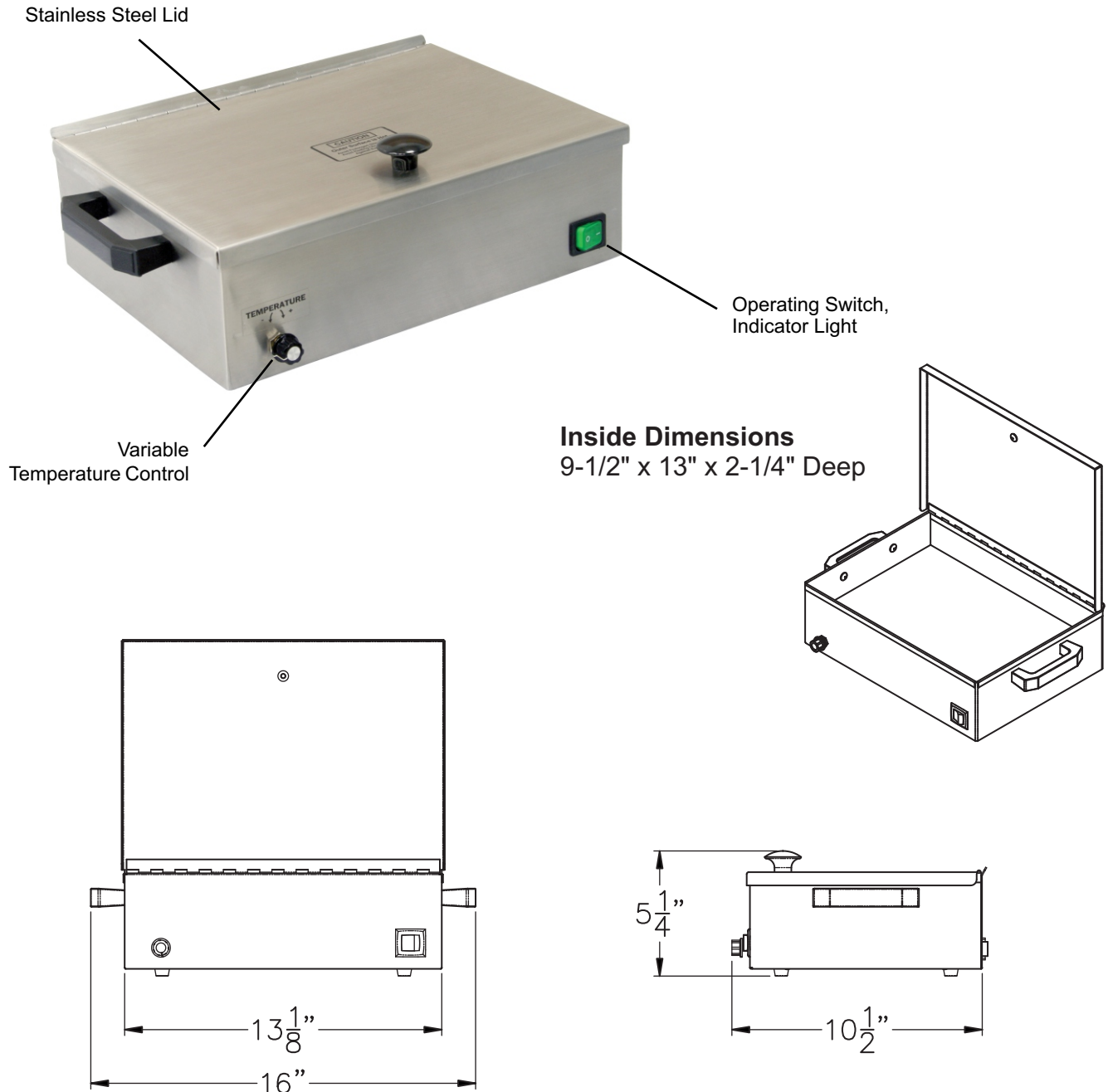
Congratulations on receiving your compact Little Splint Thermal Bath.

The Little Splint's interior accommodates splinting sheets up to 8-1/2" x 12" (22cm x 30cm). The stainless steel lid is functionally designed to open completely with just one hand, leaving the other hand free. The unit is built out of stainless steel for long lasting durability.

On the Little Splint model, the variable temperature thermostat can maintain water at controlled temperatures between 109°F (43°C) to 196°F (91°C).

The Little Splint's tank interior is constructed of stainless steel, which heats evenly and resists corrosion. Grounded plugs and high heat safety switches are standard.

Unit rating is 120V, 5A, 50/60Hz.





BASIC SET UP AND USE INSTRUCTIONS

- Place the Little Splint™ on a secure platform, i.e., a table or big cart.
- Fill the unit with water to 1" deep. Plug the unit into a properly grounded outlet having a ground fault circuit interrupter either in the receptacle or somewhere in the immediate power line.
- On the Little Splint™, the dual thermostat control is set with a high and low setting. The high setting is 196°F (91°C) and the low setting is 109°F (43°C). Allow the unit to reach temperature.
- With 1" of cold water and with the cover closed, operating temperature should be reached in approximately 30 minutes. To reduce the warm up time for the Little Splint, you may use hot water.
- Note: We recommend the use of distilled water to reduce the build-up of mineral deposits and dirt.

REMOVAL OF WATER

Cool the bath and tip the unit and drain the water into a bucket, sink or drain.

CLEANING

Cleaning of the pan can best be accomplished with a very mild, non-scratching household cleaner and a very low abrasion plastic scouring pad lightly applied. On a stainless steel tank, never use a metal scouring pad as it is too abrasive and may leave iron deposits on the stainless, which will rust.

Again, disinfection procedures are different from facility to facility, and we have found that alcohol is still the best cleaning and solution. Bleaches and iodine should not be used.

Use of bleach or iodine will result in pin holes in the stainless steel tank which will leak and void the warranty.

TO CHANGE THE TEMPERATURE SETTING

The temperature is varied by turning the thermostat knob clockwise for an increase and counterclockwise for a decrease in temperature. The temperature on low setting should approximate 109°F (43°C) and on high 196°F (91°C).

CHANGING THE FUSE

Turn the Little Splint off via the controls on the front panel and then unplug the unit. Allow the unit and the water to cool before draining the water from the unit. Next, position the unit to allow access to the rear of the splint pan. Locate the fuse holder caps with the use of a "common" blade screwdriver or fingers and rotate **counterclockwise** approximately 90° or until the cap becomes loose. Remove the fuse holder cap, exposing the ceramic fuse. Remove the blown fuse.

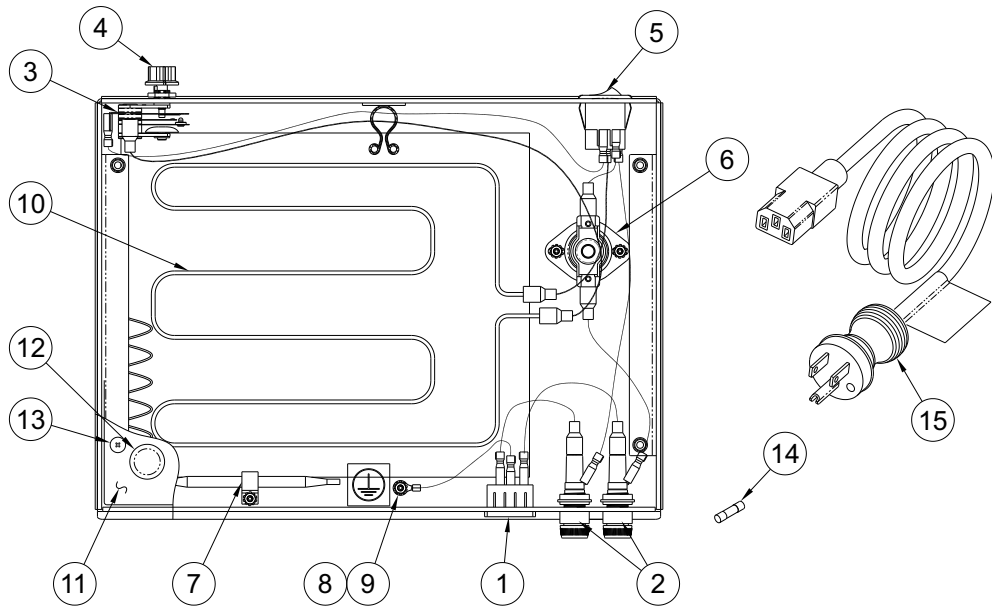
Once the old fuse has been removed, replace it with a new fuse of the same kind and amperage. Reinstall the fuse holder cap by depressing and rotating **clockwise** approximately 90° and ensure that the fuse holder caps are secured. Refill the Little Splint™ with at least 1" of water and then plug the unit back into a power outlet. Turn the unit on via front control panel. Allow the water to warm up to the operating temperature and use as required.

REPAIR OF UNIT

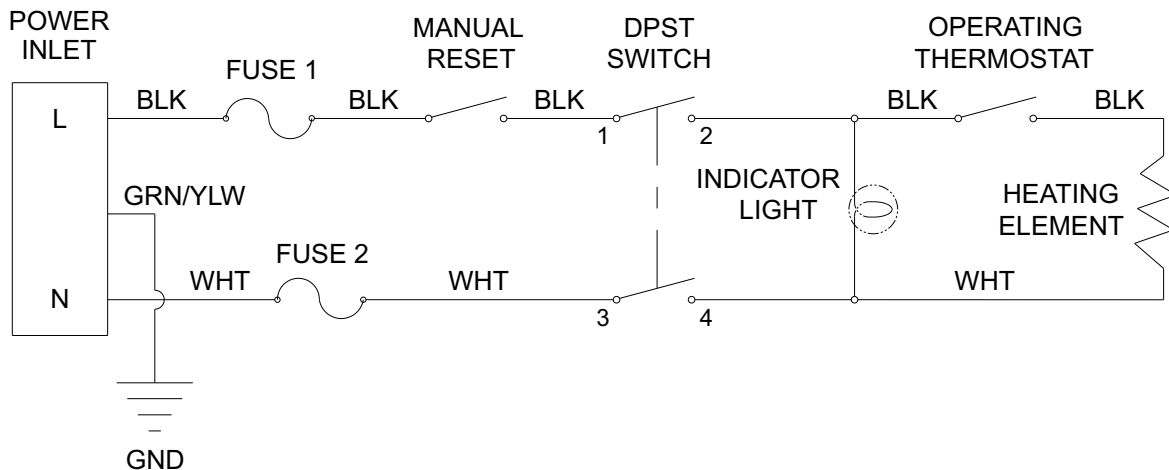
It may be necessary or you may desire to return the Little Splint™ unit for service. In that case, we would appreciate you contacting Whitehall Manufacturing® directly. We will make arrangements for the unit to be returned to our production location. When the unit is received by us, an estimate of repairs will be made and you will be contacted. **We prefer warranty repair or any other repair be arranged directly with Whitehall Manufacturing. If you are not satisfied with our service, then and only then, contact your dealer.**



Instructions for Operation and Care of Little Splint Compact Splint Pan



ITEM #	PART #	DESCRIPTION
1	6505-546-000	Snap-In Power Inlet 10A/15A 250VAC
2	0710-232-000	Fuse Holder Assembly, 1/4" x 1-1/4"
3	6903-150-000	Operating Thermostat
4	6900-141-000	Heater Control Knob
5	6505-510-000	120V On/Off Switch/ Indicator Light
6	6903-147-000	Thermostat, Manual Reset
7	6900-102-000	Clamp- Steel Cable
8	0302-011-000	#6-32 UNC Stainless Steel Hex Nut
9	0322-003-000	#6 Plated Star Lock Washer (External)
10	6705-325-001	120V 500W 8" x 9.5" Foil Heater
11	6705-315-199	Bottom Cover
12	6504-604-000	Rubber Bumper
13	0116-011-000	#10-32 x 5/16" S/S Phil Hd Screw
14	0710-233-000	Fuse, 1/4" x 1-1/4", 6A, Time Delay, Ceramic
15	6505-056-000	Power Cord





Whitehall Manufacturing®
Manufacturer of Healthcare and Rehabilitation Products since 1946

Mailing Address:

P.O. Box 3527 • City of Industry, CA 91744-0527 U.S.A

Physical Address:

15125 Proctor Avenue • City of Industry, CA 91746 U.S.A

Phone 800-782-7706 • 626-968-6681

Fax 626-855-4862

Web: www.whitehallmfg.com

E-mail: info@whitehallmfg.com

Any questions regarding servicing of products in Europe or the Middle East should be directed to:
Acorn Thorn, Limited • 5 Brearley Court, Baird Road Quedgeley, Gloucester GL2 2AF, United Kingdom
Phone (44) 01452 721211 • Fax (44) 01452 721231

Web www.acornthorn.co.uk

sales@acornthorn.co.uk

MANUFACTURER'S WARRANTY

Go to www.whitehallmfg.com to fill out eWarranty Registration, keyword search: WARRANTY.

Whitehall Manufacturing Company warrants that its products are free from defects in material or workmanship under normal use and service for a period of one year from date of shipment. Whitehall's liability under this warranty shall be discharged solely by replacement or repair of defective material, provided Whitehall is notified in writing within one year from date of shipment, F.O.B. Industry, California.

This warranty does not cover installation or labor charges, and does not apply to materials which have been damaged by other causes such as mishandling or improper care or abnormal use. The repair or replacement of the defective materials shall constitute the sole remedy of the Buyer and the sole remedy of Whitehall under this warranty. Whitehall shall not be liable under any circumstances for incidental, consequential or direct charges caused by defects in the materials, or any delay in the repair or replacement thereof. This warranty is in lieu of all other warranties expressed or implied. Product maintenance instructions are issued with each fixture, and disregard or non-compliance with these instructions will constitute an abnormal use condition and void the warranty. Stainless steel must be properly maintained after the water has been introduced into the fixture, or Whitehall's limited warranty is void. If you have any questions or require technical assistance, please call 800-743-8219.

NOTICE TO KEEP ORIGINAL PACKAGING- Regarding warranty claims: customer must retain original packaging for one year upon receipt of product. If packaging is discarded, it is the customer's responsibility to provide adequate packaging. Any shipping claims that are a direct result of customer-provided packaging materials will be handled by the shipper.